

# Schröder

## OMNISTAR

### OPTICAL BLOCK FIXATIONS 2.

**W2**

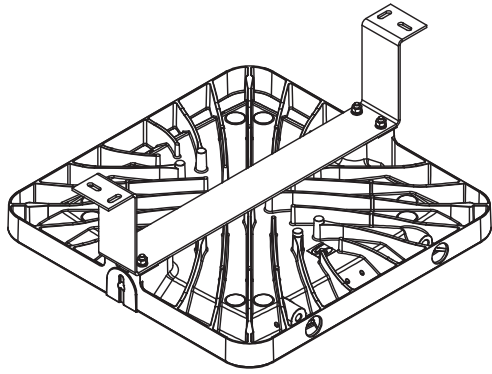
FIX BRACKET FOR SURFACE MOUNT

**W1**

TILTABLE BRACKET FOR SURFACE MOUNT

**S1**

SUSPENDED BRACKET



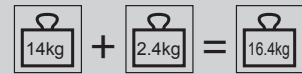
# Schröder

## FIX BRACKET FOR SURFACE MOUNT (e.g. tunnel)

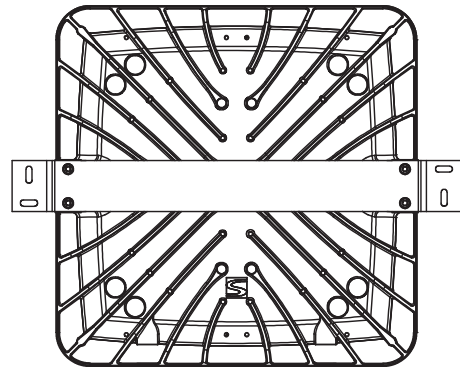
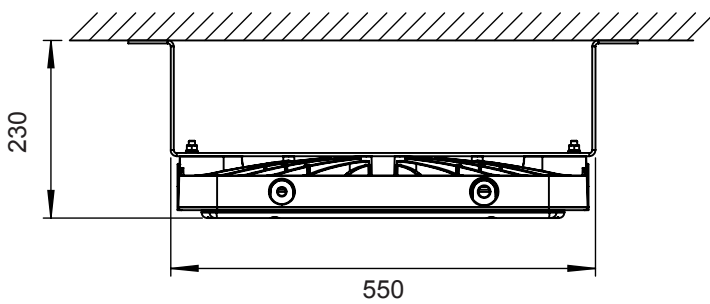
W2



OMNOB W2

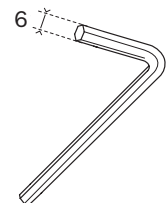
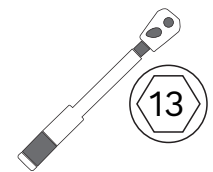
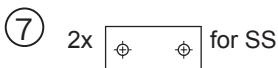
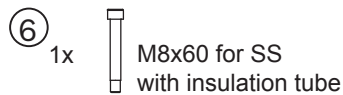
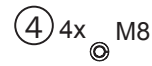
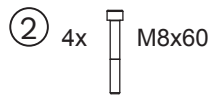
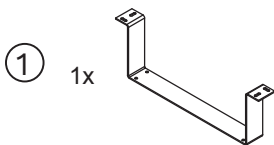


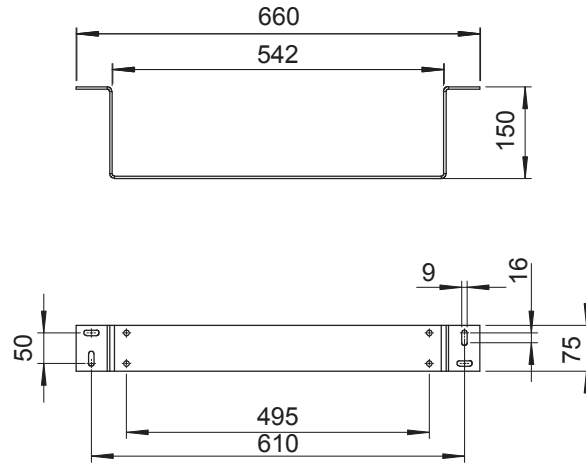
OMNOB + W2



**A** ① and ⑥ material: standard or stainless steel (SS)

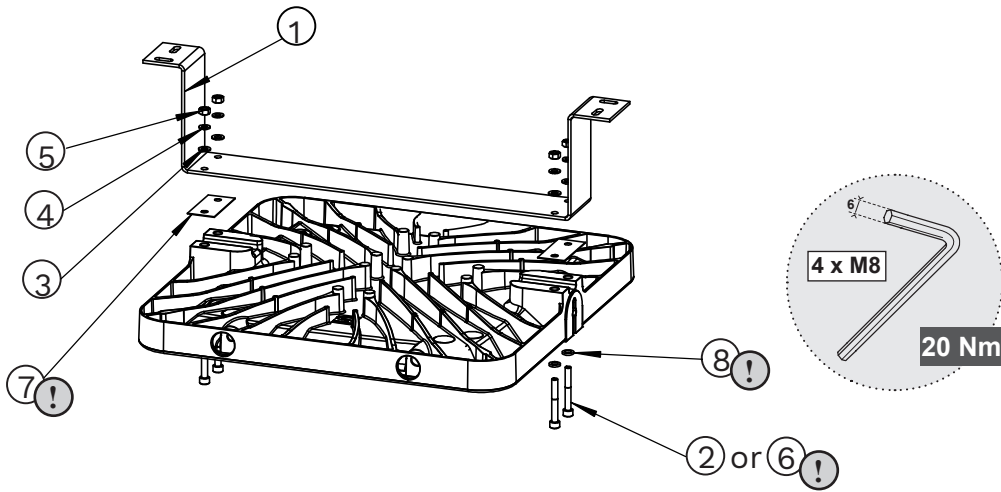
W2

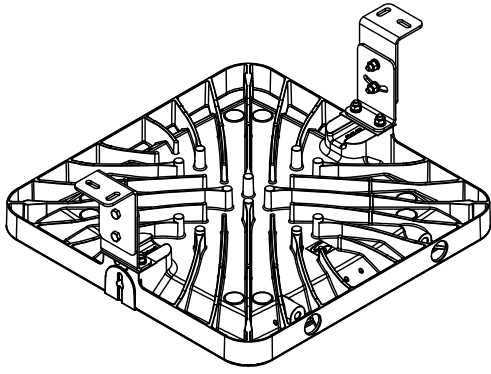




⚠ only for stainless steel

OMNOB + W2





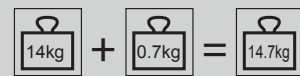
# Schröder

## TILTABLE BRACKET FOR SURFACE MOUNT

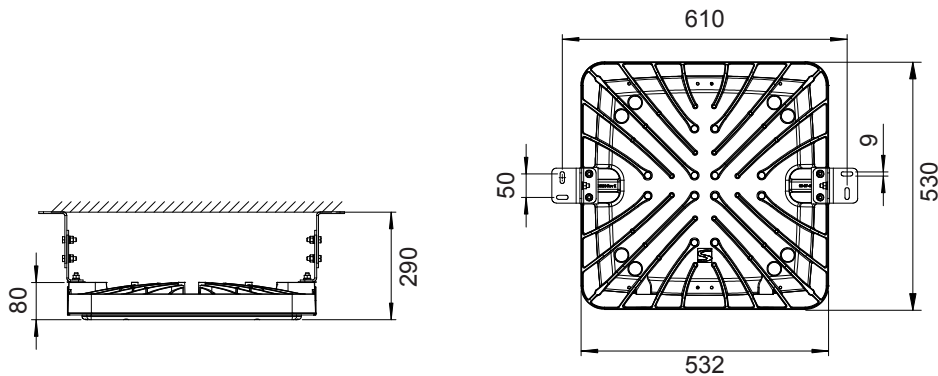
W1



OMNOB W1



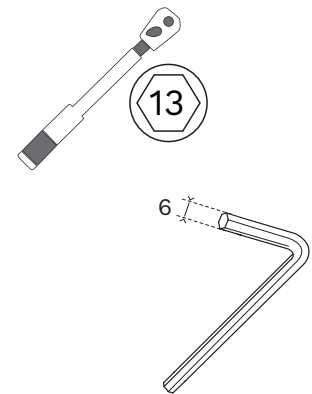
OMNOB + W1



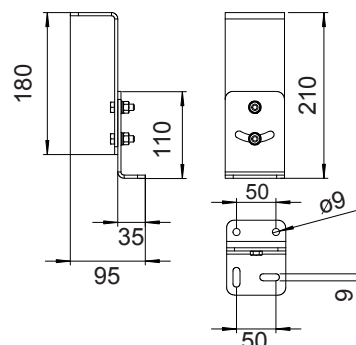
### A

- ① 2x
  - ② 2x
  - ③ 4x
  - ④ 4x
  - ⑤ 8x
  - ⑥ 8x
  - ⑦ 8x
  - ⑧ 4x
  - ⑨ 2x
  - ⑩ 4x
- 1, 2, material: standard or stainless steel (SS)

W1



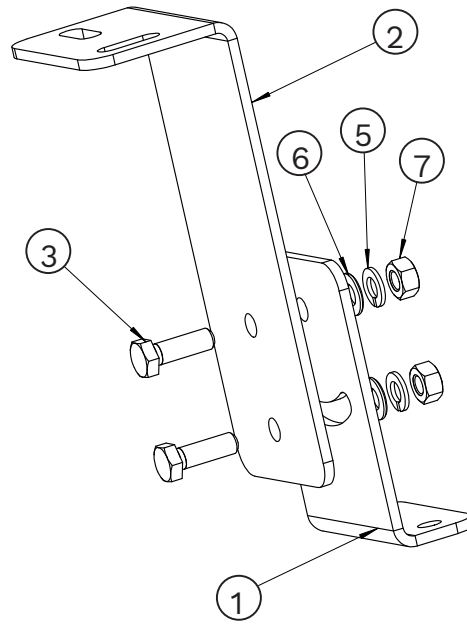
### B



W1

1

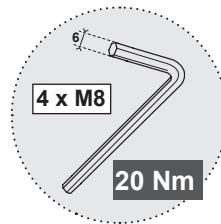
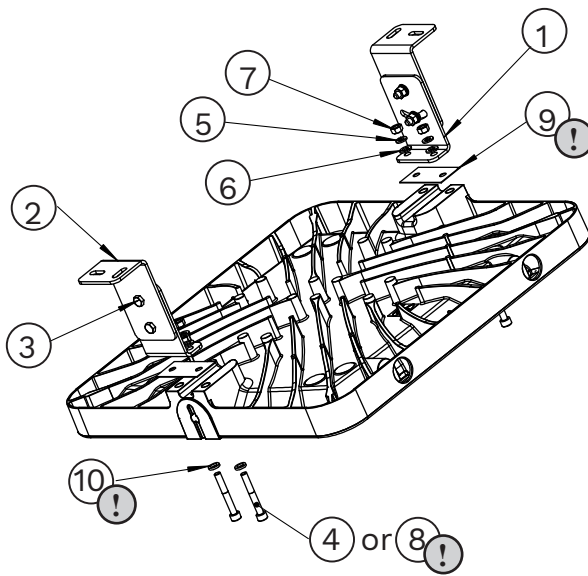
W1



2

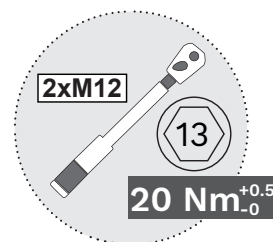
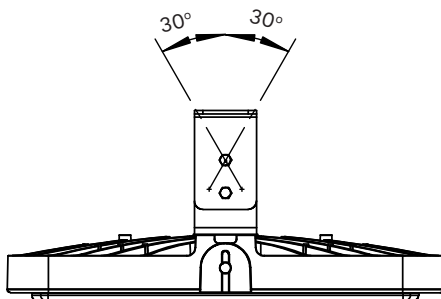
⚠ only for stainless steel

OMNOB + W1



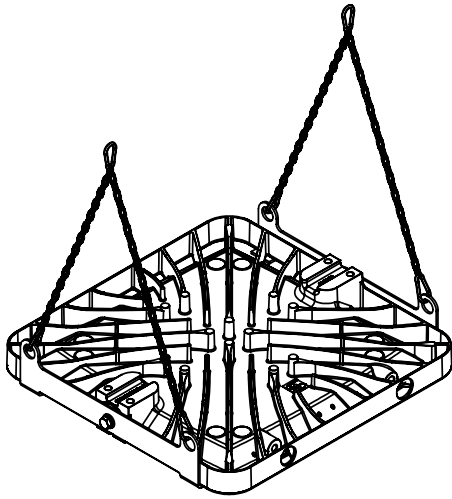
3

OMNOB + W1



# Schröder

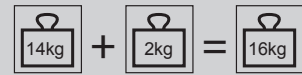
## SUSPENDED BRACKET



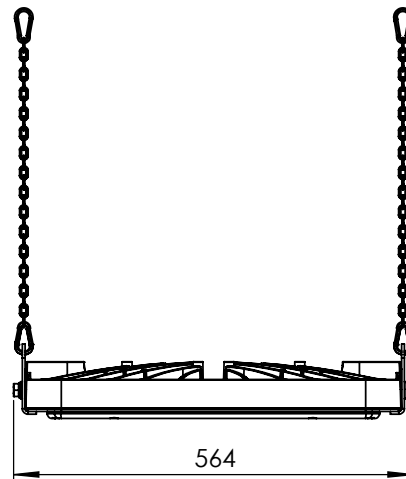
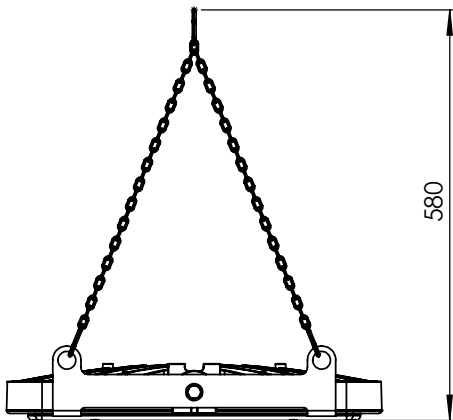
S1



OMNOB S1

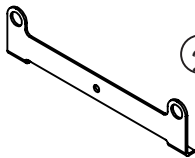


OMNOB + S1

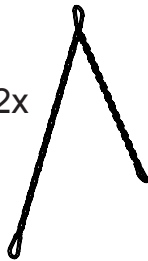


**A**

① 2x



② 2x



③ 2x M12x40

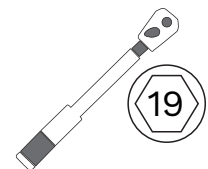
④ 2x M12

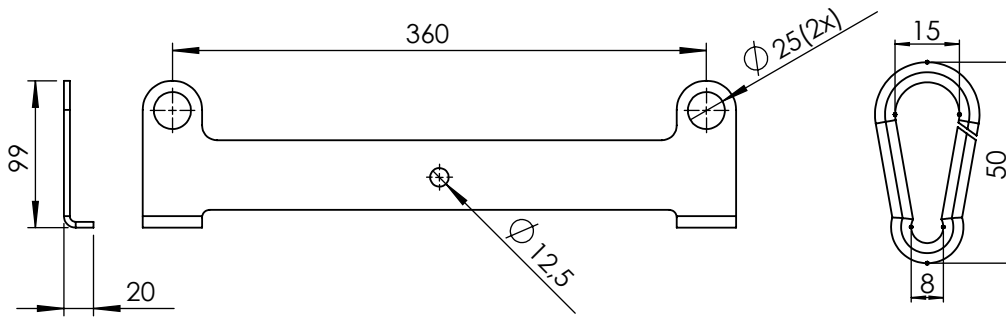
⑤ 2x M12

⑥ 2x M12

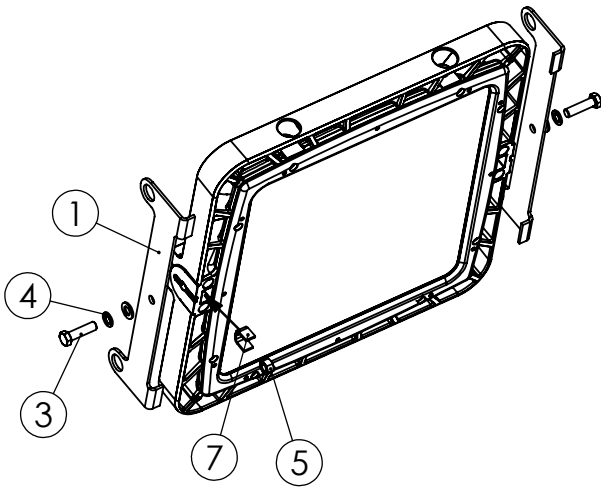
⑦ 2x

S1

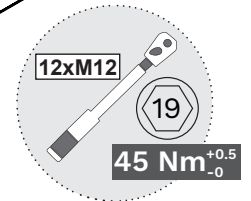
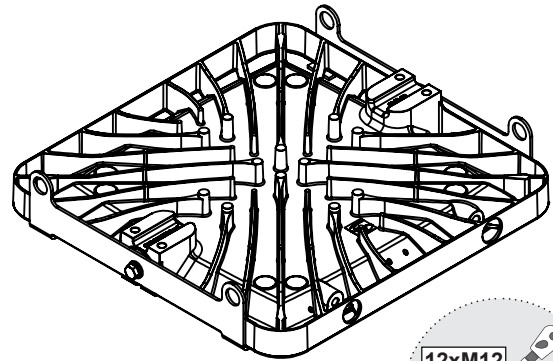




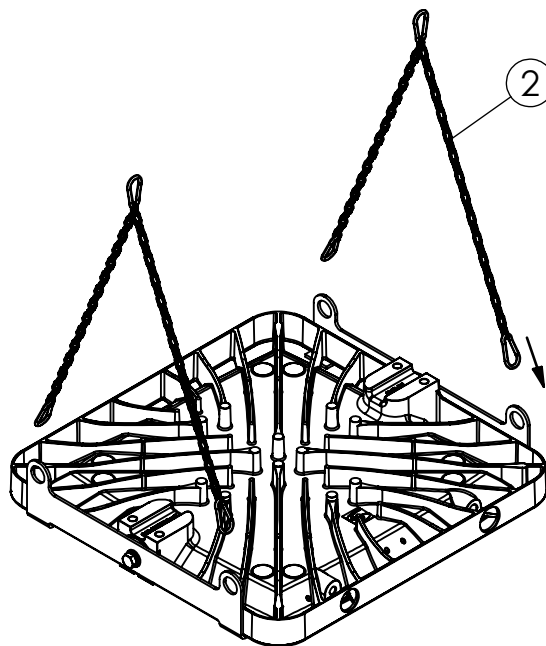
1



2



3



OMNOB + S1