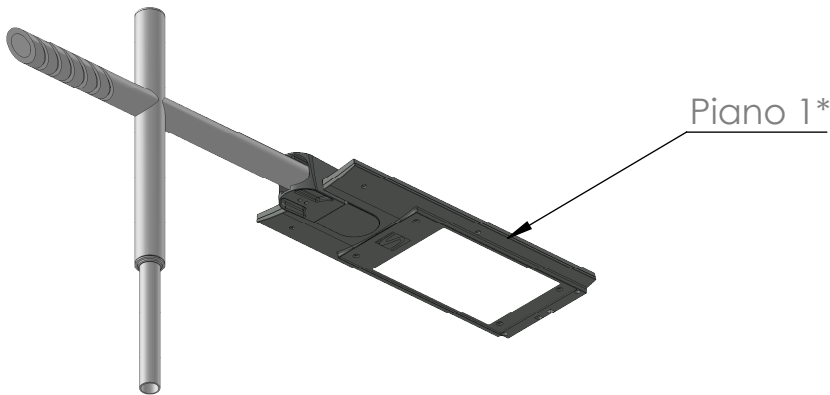
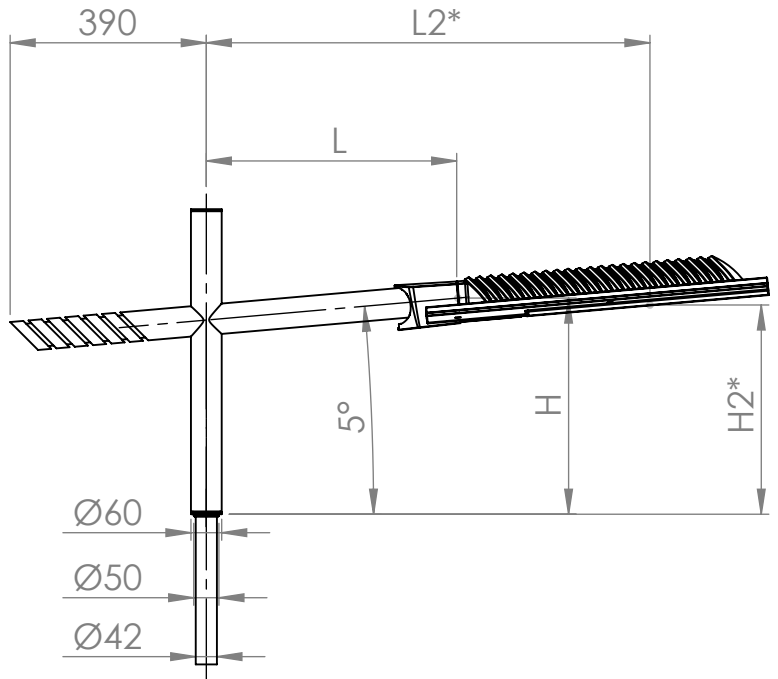
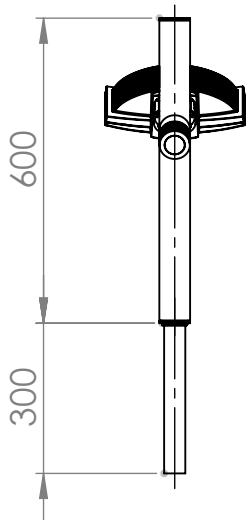
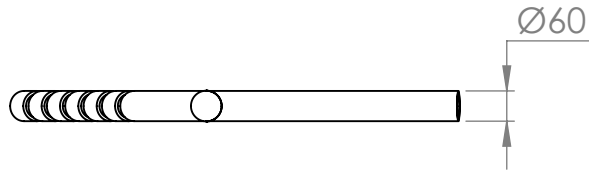


	Simple top 250	Simple top 500	Simple top 1000
L	250	500	1000
H	402	435	468
L2* (Piano 1)	630	880	1380
H2* (Piano 1)	382	415	448
Bracket weight	7	9.5	11.5



Specifications and measurements are of an indicative nature and subject to change without notice

Korda top simple penetrating on pole Ø60		
Schröder Experts in lightability™	Scale: 1:15	Material: Steel Galvanised
	Date: 30-08-2019	Weight: See Table

© Schröder SA (Rue de Lusambo 07, 1190 Brussels, Belgium). This document, its content and all related intellectual property rights, notably on the drawings and design, are owned by and remains the property of Schröder SA. In no case, it can be used for unauthorized purposes. It can not be reproduced or communicated to third parties without Schröder's express and written agreement. Infringement gives rights to damages.

* More information on luminaire compatibility is available in the datasheet