

# TLA-DALI

## CBL-TLA-DALI

### Control cabinet solution with application software for dimming luminaires

Data sheet  
110097\_en\_00



© PHOENIX CONTACT 2021-03-26

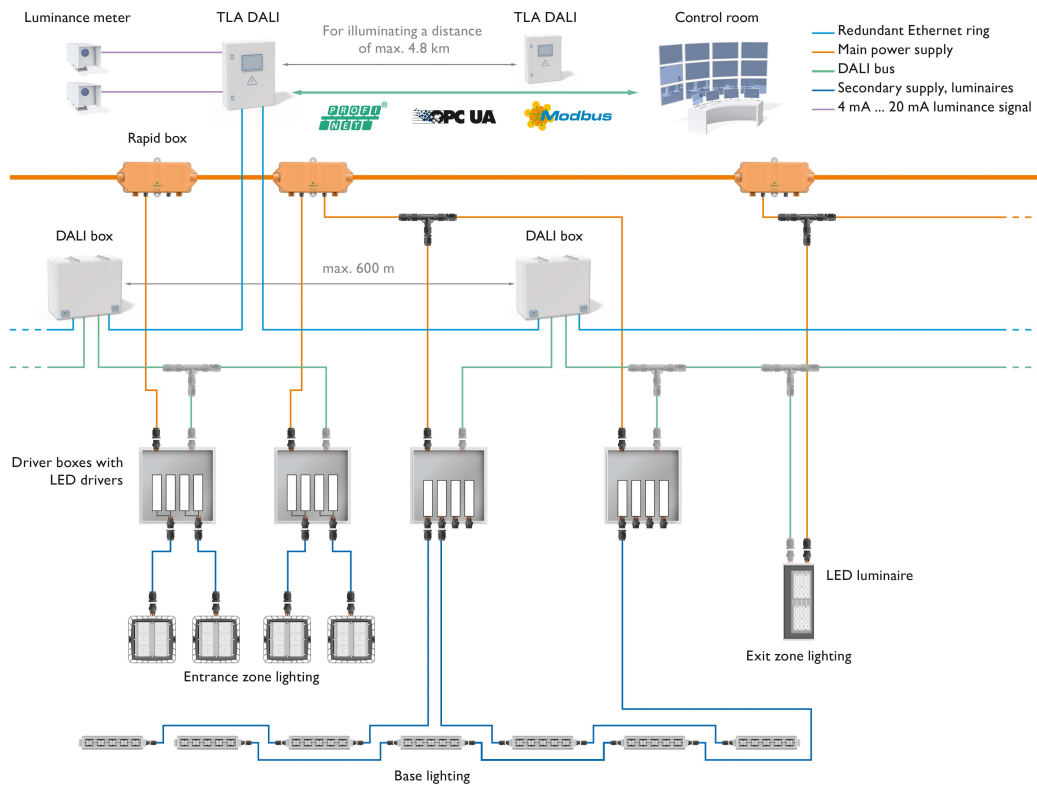
## Description

The switchgear and controlgear assemblies can be used to implement complex lighting applications, e.g. building or tunnel lighting. Their basic function is the coordinated dimming of luminaires based on analog sensor measured values. In addition, diagnostic data can be read. Up to four luminance sensors can be connected per TLA.

The luminaire drivers are connected via DALI interface to DALI-BOXes (see PxC data sheet) and the DALI-BOXes are connected to the TLA-DALI via Ethernet. The luminaires are dimmed and controlled via DALI bus.

## Features

- NIS compliant (IEC 62443)
- Virtualization / BIM ready
- OPC UA embedded
- Enhanced lighting features (Lseq, speed adaption)
- Web-based parameterization
- Industry 4.0 ready
- Up to 8 DALI-BOXes with each up to 8 DALI masters could be connected. Each DALI master could control up to 64 DALI ECGs



This data sheet contains additional article-specific information. You must also observe the user manual 110069 (see Section "Documentation").

## Technical data

### 1.1 Version AC 120 V


**Valid for the following items:**

– 1264072 CBL-TLA-DALI-D124

#### System parameter

Nominal power	120 W
Voltage ( $U_N$ )	1/N/PE AC 230 V 45 Hz ... 65 Hz
Nominal current ( $I_N$ )	1.3 A at 230 V AC
Recommended backup fuse	10 A, characteristic B, 2-pos.
Control voltage	24 V DC
Nominal current (control voltage)	5 A

#### General data

Installation location	Indoor
Housing material	Sheet steel, with all-round PU foam seal, dip-primed, powder-coated on the outside, textured finish
Color	RAL 7035 textured finish
Weight	46 kg
Degree of protection	IP65
Protection class	I

#### Dimensions

Width	600 mm
Height	800 mm
Depth	260 mm
Note on dimensions	Housing dimensions

#### Ambient conditions

Ambient temperature (operation, storage, transport)	0 °C ... 42 °C
Humidity (operation/storage/transport)	≤95% at 25°C, non-condensing
Air pressure (operation/storage/transport)	70 kPa ... 106 kPa (up to 2000 m above sea level)
Vibration (operation; according to EN 60068-2-6/IEC 60068-2-6)	1 g
Shock (according to EN 60068-2-27/IEC 60068-2-27)	Without HMI: 25 g / With HMI: 15 g

## 1.2 Version AC 230 V


**Valid for the following items:**

- 1264066 CBL-TLA-DALI-D021
- 1264069 CBL-TLA-DALI-D121

### System parameter

Nominal power	120 W
Voltage ( $U_N$ )	1/N/PE AC 230 V 45 Hz ... 65 Hz
Nominal current ( $I_N$ )	1.3 A at 230 V AC
Recommended backup fuse	20 A, characteristic B, 2-pos.
Control voltage	24 V DC
Nominal current (control voltage)	5 A

### General data

Installation location	Indoor
Housing material	Sheet steel, with all-round PU foam seal, dip-primed, powder-coated on the outside, textured finish
Color	RAL 7035 textured finish
Weight	46 kg
Degree of protection	IP65
Protection class	I

### Dimensions

Width	600 mm
Height	800 mm
Depth	260 mm
Note on dimensions	Housing dimensions

### Ambient conditions

Ambient temperature (operation, storage, transport)	CBL-TLA-DALI-D021 0 °C ... 42 °C
	CBL-TLA-DALI-D121 0 °C ... 38 °C
Humidity (operation/storage/transport)	≤95% at 25°C, non-condensing
Air pressure (operation/storage/transport)	70 kPa ... 106 kPa (up to 2000 m above sea level)
Vibration (operation; according to EN 60068-2-6/IEC 60068-2-6)	1 g
Shock (according to EN 60068-2-27/IEC 60068-2-27)	Without HMI: 25 g / With HMI: 15 g

## 1.3 Version AC 277 V



## Valid for the following items:

– 1264070 CBL-TLA-DALI-D122

### System parameter

Nominal power	80 W
Voltage ( $U_N$ )	1/N/PE AC 277 V 45 Hz ... 65 Hz
Nominal current ( $I_N$ )	0.4 A at 277 V AC
Recommended backup fuse	10 A, characteristic B, 2-pos.
Control voltage	24 V DC
Nominal current (control voltage)	5 A

### General data

Installation location	Indoor
Housing material	Sheet steel, with all-round PU foam seal, dip-primed, powder-coated on the outside, textured finish
Color	RAL 7035 textured finish
Weight	46 kg
Degree of protection	IP65
Protection class	I

### Dimensions

Width	600 mm
Height	800 mm
Depth	260 mm
Note on dimensions	Housing dimensions

### Ambient conditions

Ambient temperature (operation, storage, transport)	0° C ... 39 °C
Humidity (operation/storage/transport)	≤95% at 25°C, non-condensing
Air pressure (operation/storage/transport)	70 kPa ... 106 kPa (up to 2000 m above sea level)
Vibration (operation; according to EN 60068-2-6/IEC 60068-2-6)	1 g
Shock (according to EN 60068-2-27/IEC 60068-2-27)	Without HMI: 25 g / With HMI: 15 g

## 1.4 Version AC 347 V



### Valid for the following items:

– 1264071 CBL-TLA-DALI-D123-SS

### System parameter

Nominal power	90 W
Voltage ( $U_N$ )	1/N/PE AC 347 V 45 Hz ... 65 Hz
Nominal current ( $I_N$ )	0.5 A at 347 V AC
Recommended backup fuse	10 A, characteristic B, 2-pos.
Control voltage	24 V DC
Nominal current (control voltage)	5 A

### General data

Installation location	Indoor
Housing material	Stainless steel, circumferential foamed-in PU seal
Color	-
Weight	46 kg
Degree of protection	IP65
Protection class	I

### Dimensions

Width	600 mm
Height	800 mm
Depth	300 mm
Note on dimensions	Housing dimensions

### Ambient conditions

Ambient temperature (operation, storage, transport)	0 °C ... 42 °C
Humidity (operation/storage/transport)	≤95% at 25°C, non-condensing
Air pressure (operation/storage/transport)	70 kPa ... 106 kPa (up to 2000 m above sea level)
Vibration (operation; according to EN 60068-2-6/IEC 60068-2-6)	1 g
Shock (according to EN 60068-2-27/IEC 60068-2-27)	Without HMI: 25 g / With HMI: 15 g

### Documentation

Type/description	Designation	Order No.
User manual for TLA-DALI (Tunnel Lighting Advanced - Digital adressable lighting interface)	UM IA CBL-TLA-DALI	110069
Operating instructions DALI-Box	PACKB IA DALI-Box	110046
User manual TLA-DALI - application software	UM EN CBL-TLA-DALI	109922



**Important:** Read the package slip carefully before mounting, installing, and starting up the TLA-DALI (Tunnel Lighting Advanced - Digital adressable lighting interface). Pay particular attention to the safety notes in the package slip.



For additional information about the products, visit [phoenixcontact.com](http://phoenixcontact.com).